



&



HUB, REAR WHEEL – RIGID ONLY

ASSEMBLY GUIDE

1948 AJS Models 16, 16C, 18, 18C

and

MATCHLESS G3L, G3LC, G80 & G80C

12th JANUARY 2024

by

John Ready

john.ready@outlook.com.au

INTRODUCTION.

This guide is produced to allow the author to assemble parts for year/model specific restorations. I hope that this information is of value to other collectors.

My interest is assembling bikes which are correct for the year and model. Whilst all the bikes are not necessarily “correct” I am always on the lookout for the “correct” part. Like all addicts, I will never “be finished”.

DISCLAIMER.

This Restoration Guide has been prepared solely for the use of John Ready. Use by any other party is completely at the risk of that party.

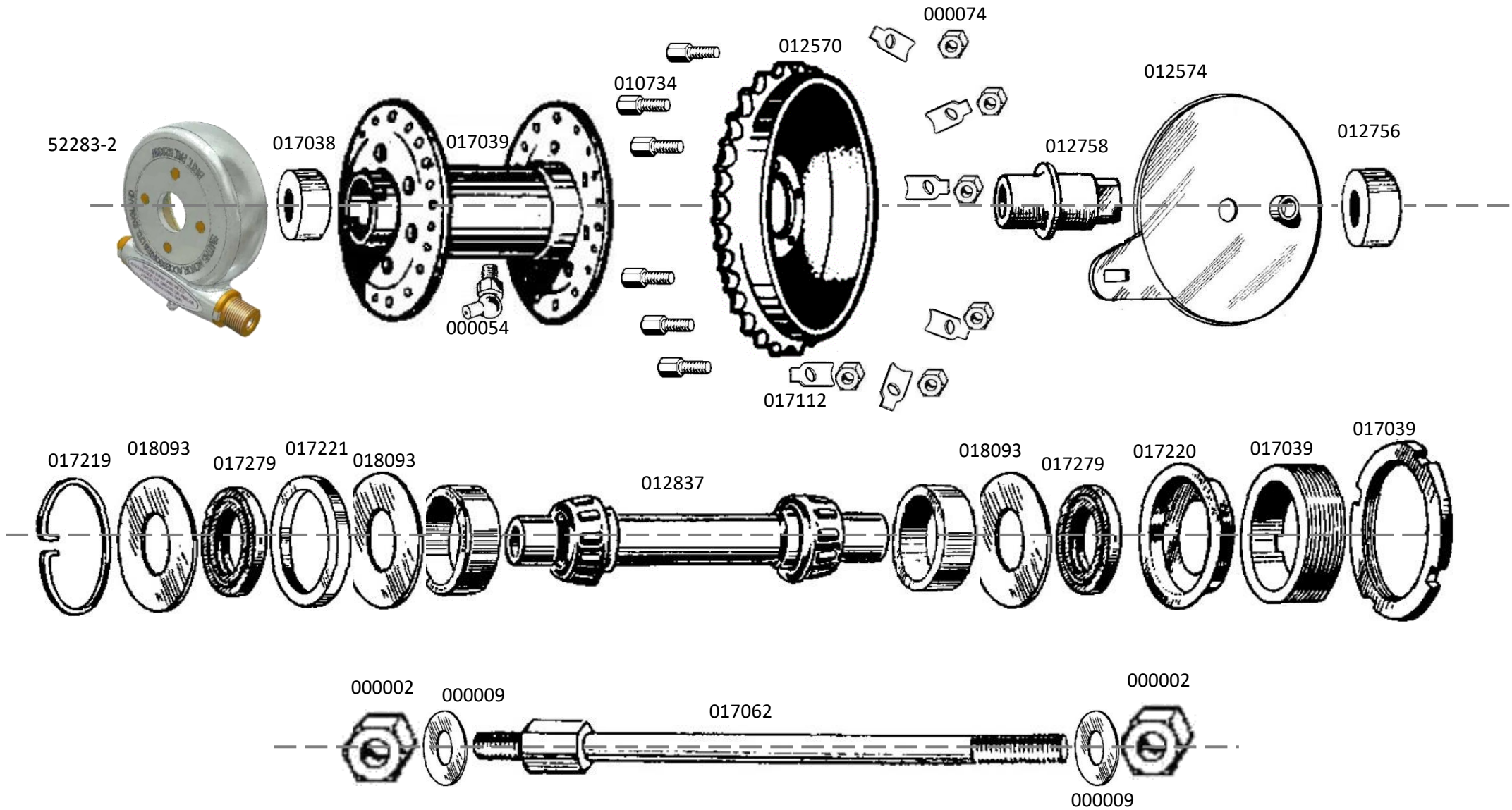
John Ready neither undertakes or accepts any liability in any way whatsoever to other any, in respect of the data herein contained including any errors or omissions however caused.

COPYRIGHT STATEMENT.

Many images are those of other people from the internet. Unfortunately, I cannot acknowledge these parties as I do not know who they are. Most are from the various Spare Parts Manuals produced by A.J. Stevens, Matchless and later by AMC. My thanks to those whose images allow this guide to function.

As the copyright, if any, cannot be identified, this publication is not for commercial gain but is designed to assist AJS and Matchless fanatics to assemble parts for particular models.

1948 350cc & 500cc
AJS Models 16 & 16C, 18 & 18C and Matchless G3L & G3LC, G80 & G80C



1948 350cc & 500cc

AJS Models 16 & 16C, 18 & 18C and Matchless G3L & G3LC, G80 & G80C

Description Common	No Off	Model	Year Model	Part No	Part No. To Use	Notes
Sprocket and brake drum, for rear wheel, 42 teeth, six-hole fixing	1	All	48 - 49	012570	012570	Chain, rear, 5/8" by .380
Bolt, retaining sprocket to rear hub	6	G3L	48 - 49	CF-37-12-H17	010734	
Washer, lock, sprocket retaining nut	6	G3L	48 - 49	CF-38-12-H18	017112	
Nut, sprocket retaining bolt	6	G3L	48 - 49	CF-STD-74	000074	
Hub, rear wheel, shell only	1	G3L	48 - 49	KF-W41-G3L-H2	017039	
Nipple, grease, for rear wheel hub, angular	1	G3L	48 - 49	STD-54	000054	
Spindle, hollow, with roller bearings, rear wheel	1	G3L	48 - 49	UF-11905	012837	only sold as a complete bearing. 1.500" O.D.
Oil-seal, for rear hub bearings	2	G3L	48 - 49	UF-11909	017279	Felt washer
Ring, spring, locating rear hub bearings	1	G3L	48 - 49	UF-11910	017219	
Cup, for rear hub bearing oil seal	1	G3L	48 - 49	UF-11911	017220	
Ring, spacing, for hub bearing oil-seal	1	G3L	48 - 49	UF-11912	017221	1.495" O.D x 1.190" I.D. x 0.185" thick.
Retaining ring, for felt washer or oil seal	3	G3L	48 - 49	UF-11913	018093	Part 017222 was also a replacement No.
Nut, lock, for the rear hub bearing adjusting ring	1	G3L	48 - 49	UF-11914	017223	1.945" O.D. x 1 9/16" 26 t.p.i. inside
Ring, adjusting, for the rear hub bearings	1	G3L	48 - 49	UF-11915	017224	1 9/16" O.D 26 t.p.i. x 0.595" long
Spindle, centre, solid, for rear wheel	1	All	1948	CF-W41-G3L-H4-A	017062	
Spacer, for spindle (next to cover plate)	2	G3L	41/G3L	CF-W41-G3L-H106	017516	
Distance piece, for spindle (fits in fork end)	1	G3L	41/G3L	CF-W41-G3L-B54	017324	
Spacer, rear solid spindle (for speedometer gearbox)	1	G3L	41/G3L	CF-W41-G3L-H26-S	017038	
Nut, left, for solid spindle	2	G3L	41/G3L	CF-STD-2	000002	
Washer, for solid spindle	2	G3L	41/G3L	CF-STD-9	000009	
Plate, cover, rear brake	1	G3L	41/G3L	KF-W41-G3L-B20	017323	