



&



HUB, REAR WHEEL – RIGID ONLY

ASSEMBLY GUIDE

1949 AJS Models 16, 16C, 18, 18C

and

MATCHLESS G3L, G3LC, G80 & G80C

12th JANUARY 2024

by

John Ready

john.ready@outlook.com.au

INTRODUCTION.

This guide is produced to allow the author to assemble parts for year/model specific restorations. I hope that this information is of value to other collectors.

My interest is assembling bikes which are correct for the year and model. Whilst all the bikes are not necessarily “correct” I am always on the lookout for the “correct” part. Like all addicts, I will never “be finished”.

DISCLAIMER.

This Restoration Guide has been prepared solely for the use of John Ready. Use by any other party is completely at the risk of that party.

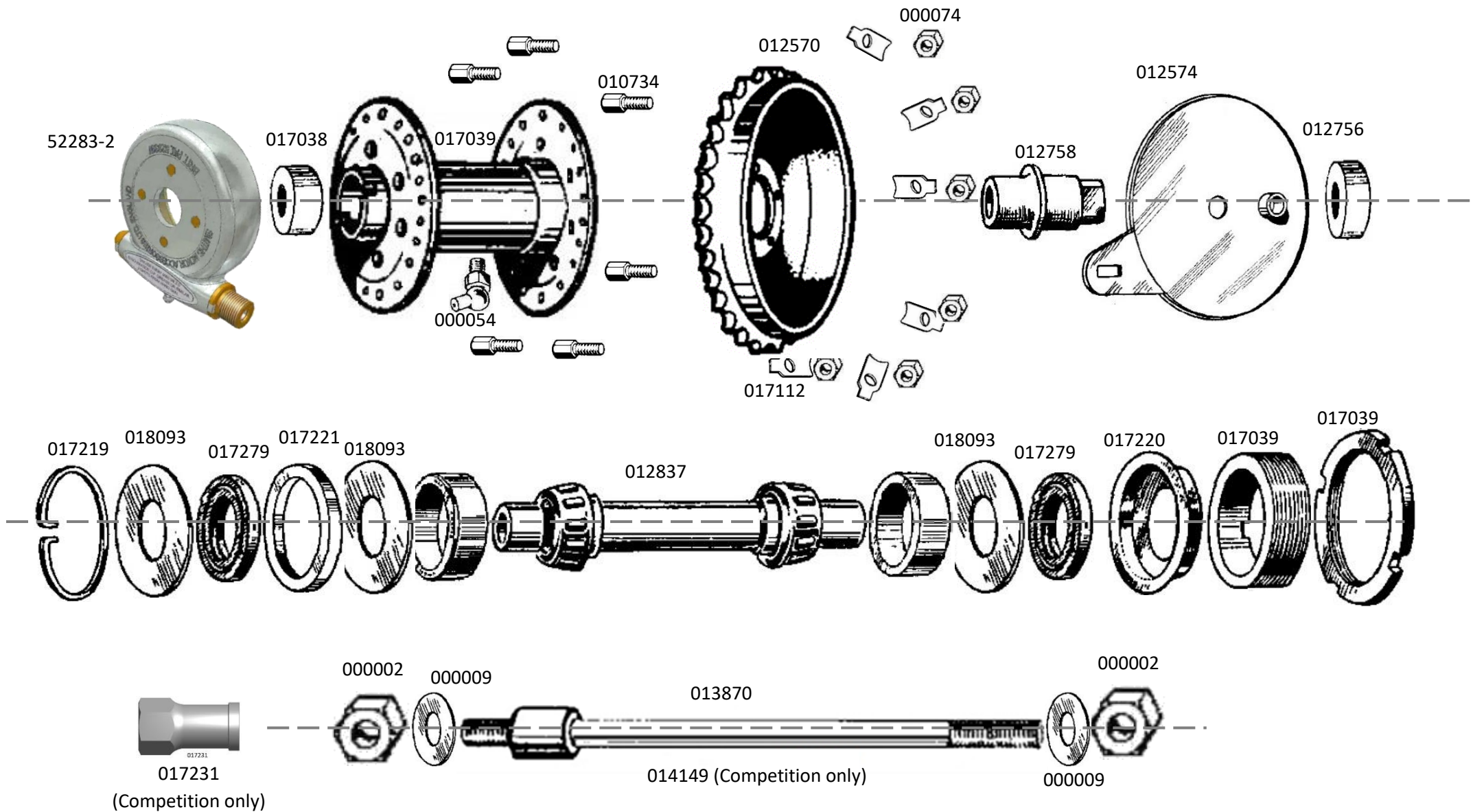
John Ready neither undertakes or accepts any liability in any way whatsoever to other any, in respect of the data herein contained including any errors or omissions however caused.

COPYRIGHT STATEMENT.

Many images are those of other people from the internet. Unfortunately, I cannot acknowledge these parties as I do not know who they are. Most are from the various Spare Parts Manuals produced by A.J. Stevens, Matchless and later by AMC. My thanks to those whose images allow this guide to function.

As the copyright, if any, cannot be identified, this publication is not for commercial gain but is designed to assist AJS and Matchless fanatics to assemble parts for particular models.

1948 350cc & 500cc AJS Models 16 & 16C, 18 & 18C and Matchless G3L & G3LC, G80 & G80C



1948 350cc & 500cc

AJS Models 16 & 16C, 18 & 18C and Matchless G3L & G3LC, G80 & G80C

Description	No Off	Part No	Part No. To Use	Notes
Hub, rear wheel, shell only	1	41-G3L-H2	017039	
Spindle, hollow, with roller bearings, rear wheel	1	11905	012837	
Cup, for rear hub bearing oil seal	1	11911	017220	
Nut, lock, for the rear hub bearing adjusting ring	1	11914	017223	
Oil-seal, for rear hub bearings	2	010579	010579	
Ring, adjusting, for the rear hub bearings	1	11915	017224	
Ring, retaining rear hub bearing oil seals	3	11913	018093	
Ring, spacing, for hub bearing oil-seal	1	11912	017221	
Ring, spring, locating rear hub bearings	1	11910	017219	
Sprocket and brake drum, for rear wheel, 42 teeth, six hole fixing	1	012570	012570	
Nut, sprocket retaining bolt	6	STD-74	000074	
Lock washer, for sprocket bolt	6	38-12-H18	017112	
Washer, plain, sprocket retaining bolt	6	STD-11	000011	
Collar, 15/32" wide, on rear wheel solid spindle (abuts against brake cover plate)	1	012756	012756	
Spacer, on rear wheel solid spindle, locating brake cover plate (fits in rear fork end)	1	012758	012758	
Spacer, rear solid spindle (for speedometer gearbox)	1	41-G3L-H26-S	017038	
Washer, plain, for rear wheel solid spindle	1	STD-9	000009	
Nipple, grease, for rear wheel hub, straight	1	STD-51	000051	
Plate, cover, rear brake	1	012574	012574	
Spindle, centre, solid, for rear wheel	1	013870	013870	Touring models only
Spindle, centre, solid, for rear wheel	1	014149	014149	Competition models only – made from tougher material.
Nut, for rear wheel solid spindle	2	STD-2	000002	2 of these on Touring Models only.
Nut, rear wheel solid spindle, right side	1	12221	017231	This nut replaces one of the 000002 Nuts on the right-hand side of the solid spindle.