



SMITHS MOTOR CYCLE EQUIPMENT

1961

THREE-WHEELERS, "BUBBLE" CARS, INVALID CHAIRS—see page 9

SMITHS

Motor Cycle Equipment — 1961

Make	Model & Description	Speedometer		Rev Indicator	Flexible Drive		Gear Box	Gear Box Pinion	Gear Ring	Speedometer Bracket	K.L.G. Sparking Plugs	Petro-Flex
		Miles	Kilos		Complete	Length						
A.J.S.	1A 248cc	SN. 3153/83	SN. 3153/84		DF. 1110/22	5'2"	EG. 5330/227			31-674-110-01	FS. 80**	
	1ACS 248cc	SN. 3153/85	SN. 3153/86		DF. 1110/22	5'2"	EG. 5330/267				FS. 80**	
	16 347cc	SC. 3312/00	SC. 3312/01		DF. 1110/22	5'5"	EG. 5330/267				FS. 80**	
	16C 347cc	SC. 5303/09*	SC. 5303/16*		DF. 1110/22	5'5"	EG. 5330/267				FS. 80**	
	8 348cc	SN. 3153/95	SN. 3153/96		DF. 1110/22	5'3"	EG. 5330/227				FS. 80**	
	TR O.H.C. 349cc			ALRC. 2652/N	DF. 1111/15	1'10"	EG. 1508/02				***	FFP. 503/12
	18 498cc	SC. 3312/00	SC. 3312/01		DF. 1110/22	5'5"	EG. 5330/267				FS. 80**	
	18S 497cc	SC. 5302/09*	SC. 5302/16*		DF. 1110/22	5'5"	EG. 5330/267				FS. 80**	
	20 Twin 498cc	SC. 3312/00	SC. 3312/01		DF. 1110/22	5'5"	EG. 5330/267				FS. 80**	
	31 Twin 646cc	SC. 3312/00	SC. 3312/01		DF. 1111/15	2'2 1/2"	EG. 1508/01				FS. 80**	
	31LCS Twin 646cc	SC. 5302/09*	SC. 5302/16*		DF. 1110/22	5'5"	EG. 5330/267				FS. 80**	
	31LCSR Twin 646cc	SC. 3312/00	SC. 3312/01		DF. 1111/15	2'2 1/2"	EG. 1508/01				FS. 80**	
	31LCSR Twin 646cc	SC. 3312/00	SC. 3312/01		DF. 1110/22	5'2"	EG. 5330/267				FS. 80**	
31LCSR Twin 646cc	SC. 3312/00	SC. 3312/01		DF. 1111/15	2'2 1/2"	EG. 1508/01				FS. 80**		
31LCSR Twin 646cc	SC. 3312/00	SC. 3312/01		DF. 1110/22	5'5"	EG. 5330/267				FS. 80**		
31LCSR Twin 646cc	SC. 3312/00	SC. 3312/01		DF. 1111/15	2'2 1/2"	EG. 1508/01				FS. 80**		
AMBASSADOR	Electra 75	SC. 3303/17			DF. 1111/02	3'1"				31-674-109-01	F. 80	
	Scooter 175cc +	SN. 3153/101			DF. 1110/00	4'11"	EG. 5121/037				F. 80	FFP. 503/9
	Super 25.249cc	SC. 3303/19*	SC. 3303/31*		DF. 1111/02	3'1"				31-674-109-01	F. 80	
	Sundapp Combinette				DF. 8231/04	2'0 1/2"					F. 80	
	Hoped 50cc	ASM. 3100/00	ASM. 3100/01		DF. 8231/04	2'0 1/2"					F. 80	
ARIEL	Sundapp 438 7000	ASM. 3100/00	ASM. 3100/01		DF. 8231/04	2'0 1/2"					F. 80	
	Three Star Special	SN. 3153/28	SN. 3153/29		DF. 1111/02	3'1"					F. 80	
	200cc											
BGD	Leader Twin 245cc**	SC. 1302/00	SC. 1302/01		DF. 1111/19	3'1"					FS. 80	
	(Non-Trip Speedo.)											
B.S.A.	Leader Twin 245cc***	SC. 5309/00	SC. 5309/01		DF. 1111/19	3'1"					FS. 80	
	(Trip Speedo.)	SN. 3153/97	SN. 3153/98		DF. 1111/19	3'1"					FS. 80	
B.S.A.	TS2 Arrow 250cc	SN. 3153/71	SN. 3153/71		DF. 1111/02	3'5"					F. 80	
	F3 Scooter 148cc	SN. 3153/65	SN. 3153/65		DF. 1111/02	3'8"					F. 80	
B.S.A.	E4 Scooter 197cc						EG. 5320/001					F. 70
	Dandy 70cc (Headlamp Fitting)	SN. 3601/00	SN. 3601/01		DF. 8231/02	2'8"						

+ Tank Unit FT. 5786/06 also fitted
 # For Separate Inner & Outer Flexible Drives see Chart I (Back Cover)
 * For Speedometer with Alternative Speed Range see Chart II (Back Cover)
 ** Three Earth-Point Version.

δ Mounting Ring IS. 1001/00 also required
 * Optional Equipment
 *** Recommendation on request according to Tune & Fuel etc.
 **** Optional Lever Clock CL. 2104/00 also available.

Make	Model & Description	Speedometer		Rev Indicator	Flexible Drive †		Gear Box	Gear Box Finion	Gear Ring	Sprocket Bracket	K.L.G. Sparking Plugs	Petrol-Plex
		Miles	Kilos		Complete	Length						
E.S.A. (Cont'd)	D1 Benton 125cc (N. America only)	SC. 1102/07	SC. 1302/08		DF. 1110/21	4' 8"	EG. 5331/247				P. 70	
	D1 Benton 125cc (N. America only)	SC. 1102/14	SH. 3153/80		DF. 1110/21	4' 8"	EG. 5331/247				P. 70	
	D7 Benton Super 174cc	SH. 3153/79	SH. 3153/88		DF. 1110/21	4' 8"	EG. 5331/247				P. 70	
	E1 Sunbeam 174cc	SH. 3153/78	SH. 3153/88		DF. 1110/21	4' 8"	EG. 5331/247				P. 100	
	E2 Sunbeam Twin 249cc (O.H.V. 6 volt)	SH. 3153/78	SH. 3153/88		DF. 1110/21	4' 8"	EG. 5331/247				P. 70	
	E2/8 Sunbeam Twin 249cc (O.H.V.)	SH. 3153/77	SH. 3153/87		DF. 1110/21	4' 8"	EG. 5331/247				P. 70	
	C15 250 Star 249cc	SH. 3153/67	SH. 3153/68		DF. 1110/21	4' 8"	EG. 5331/247				P. 70	
	C15 C.H.V. Trials 249cc	SC. 1102/07	SC. 1102/08		DF. 1110/21	4' 8"	EG. 5331/247				P. 75	
	C15 C.H.V. Trials 249cc (N. America only)	SC. 1102/14	SC. 1102/08		DF. 1110/21	4' 8"	EG. 5331/247				P. 75	
	C15 Starfire Roadster 250cc	SH. 3153/106	SH. 3153/109		DF. 1110/21	4' 8"	EG. 5331/247				P. 75	
	B32 & B34 Gold Star Clubman 499cc	SC. 5301/03	SC. 5301/12		DF. 1110/21	3' 5"	EG. 1506/04				P. 70	EPF. 506/14
	B32 & B34 Gold Star Clubman 499cc	SC. 5301/03	SC. 5301/12	ARG. 1302/00	DF. 1110/20	3' 10 1/2"	EG. 1506/04			31-674-110-01	P. 70	EPF. 506/14
	B32 & B34 Gold Star Clubman 499cc (N. America only)	SC. 5301/23	SC. 5301/12	RC. 1302/00	DF. 1110/20	3' 10 1/2"	EG. 1506/04			31-674-110-01	P. 70	EPF. 506/14
	B40 350cc	SH. 3153/85	SH. 3153/86		DF. 1110/21	4' 8"	EG. 5331/247				P. 100	EPF. 506/18
	A7 Twin Solo 497cc	SC. 3305/04	SC. 3305/05		DF. 1110/20	3' 8"	EG. 5331/247				P. 70	EPF. 506/18
	A7 Twin Sidecar 497cc	SC. 3305/06	SC. 3305/07		DF. 1110/20	3' 8"	EG. 5331/247				P. 70	EPF. 506/18
	A7 Shooting Star Twin Solo 497cc	SC. 3305/04	SC. 3305/05		DF. 1110/20	3' 8"	EG. 5331/247				P. 100	EPF. 506/18
	A7 Shooting Star Twin Sidecar 497cc	SC. 3305/06	SC. 3305/07		DF. 1110/20	3' 8"	EG. 5331/247				P. 100	EPF. 506/18
	A10 Road Rocket Twin 646cc (with Cowl)	SC. 3303/04	SC. 3305/05		DF. 1110/20	3' 8"	EG. 5331/247				P. 100	EPF. 506/18
	A10 Road Rocket Twin 646cc (without Cowl)	SC. 3301/06	SC. 3303/17		DF. 1110/20	3' 10 1/2"	EG. 5331/247				P. 100	EPF. 506/18
	A10 Road Rocket Twin 646cc (without Cowl)	SC. 3301/22	SC. 3303/17	ARG. 1303/03	DF. 1110/20	2' 10 1/2"	EG. 5331/247				P. 100	EPF. 506/18
	A10 Road Rocket Twin 646cc (N. America only) (with Cowl)	SC. 3303/12	SC. 3305/12	RC. 1303/03	DF. 1110/20	2' 10 1/2"	EG. 5331/247				P. 100	EPF. 506/18
	A10 Road Rocket Twin 646cc (N. America only) (without Cowl)	SC. 3301/24	SC. 3303/12	RC. 1303/03	DF. 1110/20	2' 10 1/2"	EG. 5331/247				P. 100	EPF. 506/18
A10 Spitfire Screamer	SC. 5301/05	SC. 5301/12	RC. 1303/03	DF. 1110/21	4' 2"	EG. 5331/247				P. 100	EPF. 506/18	
M21 591cc	SC. 5301/05	SC. 5301/12	RC. 1303/03	DF. 1110/21	4' 2"	EG. 5331/247				P. 100	EPF. 506/18	
COTTEN	Vulcan 197cc	SH. 3153/20	SH. 3153/22		DF. 1111/15	3' 0"	EG. 2510/00	31-813-120	E1-812-110		P. 80	EPF. 503/8
	Trials 197cc	SC. 1102/06	SH. 3153/22		DF. 1111/15	4' 6"	EG. 2510/00	31-813-120	E1-812-110		P. 80	EPF. 503/8
	Herald 250cc	SH. 3153/20	SH. 3153/22		DF. 1111/15	3' 6"	EG. 2510/00	31-813-120	E1-812-110		P. 80	EPF. 503/8
	Double Gloster 250cc	SH. 3153/20	SH. 3153/22		DF. 1111/15	3' 6"	EG. 2510/00	31-813-120	E1-812-110		P. 80	EPF. 503/8
	Continental 250cc	SH. 3153/20	SH. 3153/22		DF. 1111/15	3' 6"	EG. 2510/00	31-813-120	E1-812-110		P. 80	EPF. 503/8
					DF. 1111/15	3' 6"	EG. 2510/00	31-813-120	E1-812-110		P. 80	EPF. 503/8

* For Separate Inner & Outer Flexible Drives see Chart I (Book Cover)

† Optional Equipment

Make	Model & Description	Speedometer		Rev Indicator	Flexible Drive †		Gear Box	Gear Box Pattern	Gear Ring	Speedometer Bracket	No. of Sprocket Flugs	Petro-Flex
		Miles	Kiloes		Complete	Length						
GREENVES (Cont'd)	23CS & 24CS Scottish Special 197cc	ASC. 1102/15			DP. 1111/16	4' 10"	AG. 250A/01	31-813-125	31-812-110		F. 80	
	23CS Sports 240cc	SN. 3153/55			DP. 1111/16	4' 8"	AG. 250A/01	31-813-125	31-812-110		F. 80	
	24CS Scottish Special 240cc	SC. 1102/15			DP. 1111/16	4' 8"	AG. 250A/01	31-813-125	31-812-110		F. 80	
	24DB Sports 249cc	SN. 3153/55			DP. 1111/16	4' 8"	AG. 250A/01	31-813-125	31-812-110		F. 80	
	25CC	SN. 3153/55			DP. 1111/16	4' 8"	AG. 250A/01	31-813-125	31-812-110		F. 80	
	32CC	SN. 3153/55			DP. 1111/16	4' 8"	AG. 250A/01	31-813-125	31-812-110		F. 80	
	Pinto 150cc G1	SN. 3170/04			DP. 1110/20	4' 7"	AG. 250A/01	31-813-125	31-812-110		F. 80	
	Fathfinder 250cc G2	SN. 3170/22			DP. 1110/22	5' 2"	AG. 250A/01	31-813-125	31-812-110		F. 80	
	Arrow 250cc G2S	SN. 3170/31			DP. 1110/22	5' 2"	AG. 250A/01	31-813-125	31-812-110		F. 80	
	Western 500cc G8CS	SC. 5301/09			DP. 1110/22	5' 5"	AG. 250A/01	31-813-125	31-812-110		F. 80	
DUDMAN (A.H.C.)	Clyphon 600cc GECTS	SC. 5301/09		ATC. 2652/N	DP. 1110/22	5' 5"	AG. 250A/01	31-813-125	31-812-110		F. 80	
	Racer .486cc G50				DP. 1111/15	1' 10"	AG. 250A/01	31-813-125	31-812-110		F. 80	
	The Indian Chief 700cc						AG. 250A/01	31-813-125	31-812-110		F. 80	
	The Indian Chief 700cc	N.O.H.			DP. 1110/21	4' 11"	AG. 250A/01	31-813-125	31-812-110		F. 80	
	Vertical Twin			HC. 184	DP. 1111/15	3' 7"	AG. 250A/01	31-813-125	31-812-110		F. 80	
	Vertical Twin	SC. 3312/00			DP. 1110/22	5' 5"	AG. 250A/01	31-813-125	31-812-110		F. 80	
	Treadblower 650cc G12	SC. 3312/00		AGC. 1304/00	DP. 1111/15	2' 5 1/2"	AG. 250A/01	31-813-125	31-812-110		F. 80	
	Treadblower 650cc G11	SC. 3312/00		AGC. 1304/00	DP. 1110/22	5' 5"	AG. 250A/01	31-813-125	31-812-110		F. 80	
	Tombank 500cc G9				DP. 1111/15	2' 5 1/2"	AG. 250A/01	31-813-125	31-812-110		F. 80	
	Tombank 500cc G9				DP. 1110/22	5' 2"	AG. 250A/01	31-813-125	31-812-110		F. 80	
Apoche 650cc G12S and G12SR	SC. 3312/00		AGC. 95/1	DP. 1110/22	5' 2"	AG. 250A/01	31-813-125	31-812-110		F. 80		
Apoche 650cc G12S and G12SR				DP. 1111/15	2' 2 1/2"	AG. 250A/01	31-813-125	31-812-110		F. 80		
JAMES	L1 Comet 100 98cc	ASN. 3153/25	ASN. 3153/38		DP. 1110/20	4' 7"	AGC. 533C/227				F. 70	
	L15A Gulet 150 147cc	SN. 3153/25	SN. 3153/38		DP. 1110/20	4' 7"	AGC. 533C/227				F. 70	
	L20 17cc	SN. 3153/25	SN. 3153/38		DP. 1110/20	4' 8"	AGC. 533C/227				F. 70	
	L25 Commodore 249cc	SN. 3153/25	SN. 3153/38		DP. 1110/20	4' 7"	AGC. 533C/227				F. 70	
	L25F Comandó 249cc	SC. 1102/09	SC. 1102/25		DP. 1110/20	4' 7"	AGC. 533C/227				F. 80	
	SC1 Scooter 150cc	SN. 3153/100			DP. 1110/24	3' 0"	AGC. 533C/227				F. 75	
	G2 240cc	SN. 3153/33	SN. 3153/84		DP. 1110/22	5' 2"	AGC. 533C/227				F. 80**	
	G2S 248cc	SN. 3153/35	SN. 3153/86		DP. 1110/22	5' 2"	AGC. 533C/227				F. 80**	
	G3 347cc	SC. 3312/00	SC. 3312/01		DP. 1110/22	5' 5"	AGC. 533C/227				F. 80**	
	G3C 347cc	SC. 5301/09*	SC. 5301/16*		DP. 1110/22	5' 5"	AGC. 533C/227				F. 80**	
G5 348cc	SN. 3153/95	SN. 3153/96		DP. 1110/22	5' 3"	AGC. 533C/227				F. 80**		
MATCHLESS	G50 496cc			ATC. 2652/N	DP. 1111/15	1' 10"	AGC. 533C/227				F. 80**	
	G60 498cc	SC. 3312/00	SC. 3312/01		DP. 1110/22	5' 5"	AGC. 533C/227				F. 80**	
	G80S 497cc	SC. 5301/09*	SC. 5301/16*		DP. 1110/22	5' 5"	AGC. 533C/227				F. 80**	
	G9 Twin 498cc	SC. 3312/00	SC. 3312/01		DP. 1110/22	5' 5"	AGC. 533C/227				F. 80**	
	G9 Twin 498cc	SC. 3312/00	SC. 3312/01		DP. 1110/22	5' 5"	AGC. 533C/227				F. 80**	
	G12 Twin 646cc	SC. 3312/00	SC. 3312/01		DP. 1110/22	5' 5"	AGC. 533C/227				F. 80**	
	G12 Twin 646cc	SC. 5301/09*	SC. 5301/16*		DP. 1110/22	5' 2 1/2"	AGC. 533C/227				F. 80**	
	G12S Twin 646cc	SC. 3312/00	SC. 3312/01		DP. 1110/22	5' 2 1/2"	AGC. 533C/227				F. 80**	
	G12S Twin 646cc	SC. 5301/09*	SC. 5301/16*		DP. 1110/22	5' 2 1/2"	AGC. 533C/227				F. 80**	
	G12SR Twin 646cc	SC. 3312/00	SC. 3312/01		DP. 1110/22	5' 2 1/2"	AGC. 533C/227				F. 80**	

* For Separate Inner & Outer Flexible Drives see Chart I (Bank Cover)
 ** For Speedometer with Alternative Speed Range see Chart II (Bank Cover)
 † Optional Equipment
 ** Three Earth-Point Version
 *** Recommendation on request according to Tune & Fuel etc.

Make	Model & Description	Speedometer		Rev Indicator	Flammable Drive †		Gear Box Pinion	Gear Ring	Speedometer Breakout	K.L.O. Sparking Plugs	Petro-Flax
		Miles	Kiloes		Complete	Length					
MATCHLESS (Cont'd.)	G12L Twin 645cc	SC. 3312/00	SC. 3312/01	ASC. 1304/00	EP. 1110/22	5'5"	BG. 5330/267		31-674-110-01	FE. 80	
	G12L Twin 645cc				EP. 1111/15	2'2 1/2"	BZ. 1506/01			FE. 80	
	L40 50cc	SM. 3101/00			EP. 8831/02	2'11 1/4"	BG. 5348/111			F. 70	
	Nippy 50cc	SM. 3101/00			EP. 8831/02	2'11 1/4"	BG. 5348/111			F. 70	
	B3 348cc	SH. 3153/28	SH. 3153/29		EP. 1111/00	4'10"	BZ. 2500/02			F. 80	
	B2S Roadster (3 Speed)	SH. 3153/28	SH. 3153/29		EP. 1111/00	2'9"				F. 80	
	B2S Roadster (4 Speed)	SH. 3153/28	SH. 3153/29		EP. 1111/00	3'0"				F. 80	
	B2S Sports (3 Speed)	SH. 3153/28	SH. 3153/29		EP. 1111/00	2'9"				F. 80	
	B2S Sports (4 Speed)	SH. 3153/28	SH. 3153/29		EP. 1111/00	3'0"				F. 80	
	B2S Comp. 197cc	SG. 1102/04	SH. 3153/22		EP. 1111/00	3'2"				F. 80	
B4 Roadster 249cc	SH. 3153/20	SH. 3153/22		EP. 1111/00	3'2"				F. 80		
B4 Sports 249cc	SH. 3153/20	SH. 3153/22		EP. 1111/00	3'2"				F. 80		
NORTON	Jubilee 250 249cc	SH. 3153/25	SH. 3153/26	AIRC. 2652	EP. 1110/24	5'1 1/2"	BG. 5330/247			FE. 100	
	40K 199cc	SC. 3303/17	SC. 3303/02		EP. 1111/15	1'9"	BG. 1507/01			***	
	50 348cc	SC. 3303/17	SC. 3303/02		EP. 1110/22	5'7 1/2"	BG. 5330/257			FE. 80	
	882 490cc	SC. 3303/17	SC. 3303/02		EP. 1110/22	5'7 1/2"	BG. 5330/257			FE. 80	
	88 Dominator 497cc	SC. 3303/17	SC. 3303/02		EP. 1110/22	5'7 1/2"	BG. 5330/257			FE. 80	
	301 348cc	SC. 3303/17	SC. 3303/02		EP. 1111/15	1'9"	BG. 1507/01			***	
	99 Dominator 597cc	SC. 3303/17	SC. 3303/02		EP. 1110/22	5'7 1/2"	BG. 5330/257			FE. 80	
	Renard 500 600cc (American Markets)	SC. 3303/16	SC. 3303/11	RG. 1302/00	EP. 1110/22	5'7 1/2"	BG. 5330/257		31-674-109-01 31-674-109-01	FE. 100 FE. 80	
	650/99 650cc	SC. 3303/16	SC. 3303/11		EP. 1111/18	2'8"	BG. 1506/00			FE. 80	
	650/99 650cc	SC. 3303/16	SC. 3303/11		EP. 1111/22	4'0"	BG. 2500/06		31-674-110-01		
PANTER (HUXION & MOORE)	Richshaw (Shaft Drive Model)	SC. 3303/26			EP. 1111/22	4'0"	BG. 2500/06		31-674-110-01		
	Pashley/Bnfield Heavy Duty	SC. 1102/06	SH. 3153/108		EP. 1111/15	5'4"	BG. 2507/08		31-674-109-01		
	PV. 70	SH. 3153/108			EP. 1111/17	5'1"					
	Princess TS.17500 (6 volt)	SH. 3153/111			EP. 1111/15	4'3"				F. 75	
	Princess TS.17500 (12 volt)	SH. 3153/111			EP. 1111/15	4'3"				F. 75	
	10/3 197cc	SH. 3153/37	SH. 3153/54		EP. 1111/15	5'0"				F. 80	
	10/4 18/197cc	SH. 3153/43	SH. 3153/44		EP. 1111/15	3'1"				F. 80	
	35 Twin 249cc	SH. 3153/20	SH. 3153/22		EP. 1111/15	3'1"				F. 80	
	35 Sports Twin 249cc	SH. 3153/20	SH. 3153/22		EP. 1111/15	3'1"				F. 80	
	45 Sports Twin 324cc	SH. 3153/90	SH. 3153/90		EP. 1111/15	3'1"				F. 80	
50 Sports Twin 324cc	SH. 3153/90	SH. 3153/90		EP. 1111/15	3'1"				F. 80		
65 Springer 248cc	SC. 3303/16	SC. 3303/16		EP. 1111/15	5'0"	BG. 2517/00		31-674-109-01	F. 70		
75 Springer 348cc	SC. 3303/16	SC. 3303/16		EP. 1111/15	5'6"	BG. 2517/00		31-674-109-01	F. 70		
100 598cc	SC. 3303/17	SC. 3303/02		EP. 1111/15	5'6"	BG. 2517/00			F. 70		
120S De Luxe 645cc	SC. 3303/17	SC. 3303/02		EP. 1111/15	5'6"	BG. 2517/00			F. 75		
PHILLIS	Gadabout 49cc	SH. 3101/02	SH. 3101/03		EP. 8831/02	2'1"	BG. 5338/121			F. 80	

† For Separate Inner & Outer Flexible Drives see Chart I (Back Cover)

* For Speedometer with Alternative Speed Range see Chart II (Back Cover)

‡ Optional Equipment

*** Recommendation on request according to Tune & Fuel etc.

Make	Model & Description	Speedometer		Rev Indicator	Flexible Drive †		Gear Box	Gear Box Pinion	Gear Ring	Speedometer Bracket	K.L.G. Sparking Plugs	Petro-Flex
		Miles	Kiloes		Complete	Length						
RALEIGH	Moped 48cc	SN. 3110/00	SN. 3110/01		DF. 7302/01	2' 2"	EG. 3002/00		50620		P. 75	
ROYAL ENFIELD	Prince 148cc	SN. 3153/20	SN. 3153/22		DF. 1110/20	2' 1 1/2"	EG. 5303/05				P. 20	
	Prince Airflow 148cc	SC. 1102/04	SC. 1102/05		DF. 1110/20	2' 3 1/2"	EG. 5303/05				P. 20	
	250 Clipper 248cc	SC. 3303/20	SC. 3303/29		DF. 1110/21	4' 1/2"	EG. 5303/10				P. 80	
	250 Clipper Airflow 248cc	SC. 3303/20	SC. 3303/29		DF. 1110/20	4' 9"	EG. 5303/10				P. 80	
	Crusader 248cc	SC. 3303/20	SC. 3303/29		DF. 1110/22	4' 1/2"	EG. 5303/10				P. 80	
	Crusader Airflow 248cc	SC. 3303/20	SC. 3303/29		DF. 1110/20	4' 9"	EG. 5303/10				P. 80	
	Crusader Sports 248cc	SC. 3303/20	SC. 3303/29		DF. 1110/21	4' 1/2"	EG. 5303/10				P. 80	
	Crusader Sports Airflow 248cc	SC. 3303/20	SC. 3303/29		DF. 1110/20	4' 9"	EG. 5303/10				P. 80	
	150 Trials 346cc	SC. 3303/20	SC. 3303/29		DF. 1110/21	4' 6"	EG. 5303/10				***	
	150 Trials 346cc	SC. 3303/20	SC. 3303/29	ASC. 1302/00	DF. 1111/15	2' 1/2"	EG. 1508/00				P. 70	
	150 Clipper 346cc	SC. 3303/20	SC. 3303/29	ASC. 1302/00	DF. 1110/21	4' 6"	EG. 5303/10				P. 70	
	150 Clipper 346cc	SC. 3303/20	SC. 3303/29	ASC. 1302/00	DF. 1111/15	2' 1/2"	EG. 1508/00				P. 70	
	150 Clipper Airflow 346cc	SC. 3303/20	SC. 3303/29		DF. 1110/30	4' 11"	EG. 5303/10				P. 70	
	150 Clipper Airflow 346cc	SC. 3303/20	SC. 3303/29		DF. 1110/30	4' 11"	EG. 5303/10				P. 70	
	150 Bullet 346cc	SC. 3303/20	SC. 3303/29	ASC. 1302/00	DF. 1111/15	2' 1/2"	EG. 1508/00				P. 70	
	150 Bullet 346cc	SC. 3303/20	SC. 3303/29	ASC. 1302/00	DF. 1110/21	4' 6"	EG. 5303/10				P. 70	
	150 Bullet Airflow 346cc	SC. 3303/20	SC. 3303/29	ASC. 1302/00	DF. 1111/15	2' 1/2"	EG. 1508/00				P. 70	
	150 Bullet Airflow 346cc	SC. 3303/20	SC. 3303/29		DF. 1110/30	4' 11"	EG. 5303/10				P. 70	
	Meteor Minor Deluxe 496cc	SC. 3303/20	SC. 3303/29	ASC. 1302/00	DF. 1111/15	2' 1/2"	EG. 1508/00				EE. 75	
	Meteor Minor Deluxe 496cc	SC. 3303/20	SC. 3303/29	ASC. 1302/00	DF. 1110/21	4' 6"	EG. 5303/10				EE. 75	
	Meteor Minor Deluxe Airflow 496cc	SC. 3303/20	SC. 3303/29	ASC. 1302/00	DF. 1111/15	2' 1/2"	EG. 1508/00				EE. 75	
	Meteor Minor Deluxe Airflow 496cc	SC. 3303/20	SC. 3303/29	ASC. 1302/00	DF. 1110/30	4' 11"	EG. 5303/10				EE. 75	
	Meteor Minor Sports 496cc	SC. 3303/20	SC. 3303/29	ASC. 1302/00	DF. 1111/15	2' 1/2"	EG. 1508/00				EE. 75	
	Meteor Minor Sports 496cc	SC. 3303/20	SC. 3303/29	ASC. 1302/00	DF. 1110/21	4' 6"	EG. 5303/10				EE. 75	
	Meteor Minor Sports Airflow 496cc	SC. 3303/20	SC. 3303/29	ASC. 1302/00	DF. 1111/15	2' 1/2"	EG. 1508/00				EE. 75	
	Meteor Minor Sports Airflow 496cc	SC. 3303/20	SC. 3303/29	ASC. 1302/00	DF. 1110/30	4' 11"	EG. 5303/10				EE. 75	
	Meteor Minor Sports 499cc	SC. 3303/20	SC. 3303/29	ASC. 1302/00	DF. 1111/15	2' 1/2"	EG. 1508/00				EE. 75	
	Meteor Minor Sports 499cc	SC. 3303/20	SC. 3303/29	ASC. 1302/00	DF. 1110/21	4' 6"	EG. 5303/10				EE. 75	
	Meteor Minor Sports 499cc	SC. 3303/20	SC. 3303/29	ASC. 1302/00	DF. 1111/15	2' 1/2"	EG. 1508/00				EE. 75	
	Meteor Minor Sports 499cc	SC. 3303/20	SC. 3303/29	ASC. 1302/00	DF. 1110/30	4' 11"	EG. 5303/10				EE. 75	
	Super Meteor 592cc	SC. 3303/20	SC. 3303/29	ASC. 1302/00	DF. 1111/15	2' 1/2"	EG. 1508/00				EE. 75	
	Super Meteor 592cc	SC. 3303/20	SC. 3303/29	ASC. 1302/00	DF. 1110/21	4' 6"	EG. 5303/10				EE. 75	
	Super Meteor Airflow 592cc	SC. 3303/20	SC. 3303/29	ASC. 1302/00	DF. 1111/15	2' 1/2"	EG. 1508/00				EE. 75	
	Super Meteor Airflow 592cc	SC. 3303/20	SC. 3303/29	ASC. 1302/00	DF. 1110/30	4' 11"	EG. 5303/10				EE. 75	

† For Separate Inner & Outer Flexible Drives see Chart I (Back Cover)
 * Optional Equipment
 *** Recommendation on request according to Tune & Fuel etc.

Make	Model & Description	Speedometer		Rev Indicator	Flexible Drive †		Gear Box	Gear Box Pinion	Gear Ring	Speedometer Bracket	K.L.O. Sparking Plugs	Petro-Flex
		Miles	Kilos									
ROYAL ENFIELD (Cont'd)	Outer Meter Airflow 692cc	SC. 3303/01	SC. 3303/11	ASC. 184	DF. 1111/15	3"7"	EG. 1508/01				FE. 75	
	Constellation 692cc			ASC. 184	DF. 1110/21	4"6"	EG. 5303/20				FE. 80	
	Constellation 692cc				DF. 1111/15	3"7"	EG. 1508/01					
	Constellation Airflow 692cc	SC. 3303/01	SC. 3303/11	ASC. 184	DF. 1110/30	4"11"	EG. 5303/10				FE. 80	
	Constellation Airflow 692cc				DF. 1111/15	3"7"	EG. 1508/01				FE. 80	
	Genl 96cc	SN. 3153/43			DE. 1110/24	5"0"	EG. 5115/607				F. 70	FFP. 503/54
	Genl 96cc (Front Wheel Drive)	SN. 3153/43			DE. 1110/15	3"4"	EG. 5403/11				F. 70	
	Summap Scooter 173cc (Siba Starter) (12v)	SN. 3153/71			DE. 1111/15	3"11"					F. 80	
	Summap Scooter 173cc (Kick Starter) (6v)	SN. 3153/107			DE. 1111/15	3"11"					F. 80	
	T21 Tigress 174cc	SN. 3153/78	SN. 3153/88		DE. 1106/14	4"8 1/2"					F. 100	
T20 Tiger Cub 199cc	SN. 3153/17	SN. 3153/18		DE. 1110/20	4"15"	EG. 5330/247				F. 80		
T208 Tiger Cub Sports 199cc	SC. 1102/11	SC. 1102/12	ASC. 1101/00	DE. 1110/22	4"10"	EG. 5330/247				F. 80		
T208 Tiger Cub Sports 199cc				DE. 1111/15	2"4"					F. 80		
T207 Trials Cub	SC. 1102/11	SC. 1102/12		DE. 1110/20	4"10"	EG. 5330/247				F. 80		
TW2 Tigress 250cc	SN. 3153/78	SN. 3153/88		DE. 1106/14	4"8 1/2"					F. 80		
TW2/S Tigress 245cc	SN. 3153/77	SN. 3153/87		DE. 1106/14	4"8 1/2"					F. 70		
JDA Twenty One 348cc	SC. 3304/11	SC. 3304/16		DF. 1110/20	4"10"	EG. 5230/287			31-674-110-01	FE. 75		
52A Speed Twin 492cc	SC. 3304/11	SC. 3304/18		DF. 1110/20	4"10"	EG. 5330/287			31-674-110-01	FE. 80		
T100/A Tiger 100 490cc	SC. 3304/11	SC. 3304/18		DF. 1110/20	4"10"	EG. 5330/287			31-674-110-01	FE. 100		
T110 Tiger 649cc	SC. 3304/24	SC. 3304/25		DF. 1106/11	3"8"				31-674-110-01	FE. 100		
6T Thunderbird 649cc	SC. 3304/24	SC. 3304/25		DF. 1106/11	3"8"				31-674-110-01	FE. 80		
TR5A Road Model (Export only) 500cc	SC. 5301/03	SC. 5301/12		DE. 1110/20	4"10"	EG. 5330/287				FE. 100		
TR5A Competition (Export only) 500cc	SC. 5301/09	SC. 5301/16		DF. 1110/20	4"10"	EG. 5330/287				FE. 100		
TR6 Trophy 649cc	SC. 5301/09	SC. 5301/16	ASC. 1307/00	DF. 1106/13	3"8"					FE. 100		
TR6 Trophy 649cc				DF. 1111/15	2"4"					FE. 100		
T120 Bonneville 649cc	SC. 5301/26	SC. 5301/18		DE. 1106/13	3"8"					FE. 100		
T120 Bonneville 649cc (N. America only)			EG. 1307/00	DE. 1111/15	2"4"					FE. 100		
IE Mk.III 192cc	SN. 3153/20	SN. 3153/22		DE. 1111/17	2"9"					TEST L. 30		
Valiant Twin 192cc	SN. 3153/20	SN. 3153/22		DE. 1111/17	2"9"					TEST L. 100		
Valiant Ves Line Twin 192cc	SN. 3153/20	SN. 3153/22		DE. 1111/17	2"9"					TEST L. 100		
MAG 349cc	SC. 3308/00	SC. 3308/01		DE. 1110/22	5"3"	EG. 5303/11			31-674-110-01	FE. 70		
Viper 349cc	SC. 3308/00	SC. 3308/01		DE. 1110/22	5"3"	EG. 5303/11			31-674-110-01	FE. 100		
Viper Clubmans 349cc	SC. 3308/00	SC. 3308/01		DE. 1110/22	5"3"	EG. 5303/11			31-674-110-01	FE. 100		
MS3 499cc	SC. 3308/00	SC. 3308/01		DE. 1110/22	5"3"	EG. 5303/11			31-674-110-01	FE. 100		
Venom 499cc	SC. 3308/00	SC. 3308/01		DE. 1110/22	5"3"	EG. 5303/11			31-674-110-01	FE. 100		
Venom Clubmans 499cc	SC. 3308/00	SC. 3308/01		DE. 1110/22	5"3"	EG. 5303/11			31-674-110-01	FE. 100		

† For Separate Inner & Outer Flexible Drives see Chart I (Back Cover)

‡ Optional Equipment

Make	Model & Description	Speedometer		Rev Indicator	Flexible Drive #		Gear Box	Gear Box Fanion	Gear Ring	Speedometer Bracket	K. I. G. Sparking Plugs	Petro-Fler
		Miles	Kiloes		Complete	Length						
VELOCETE (Cont'd)	Venon Clubmans 499cc	SC. 3308/00	SC. 3308/01	ASC. 1302/02	DF. 1111/15	3'0"	EG. 1507/02			31-674-11C-01	FE. 100	
	Venon Sports 499cc			ASC. 1302/02	DF. 1110/22	5'3"	EG. 5303/11				FE. 100	
	Venon (Special Export Order) Endurance 499cc Viceroy Scooter	SC. 3308/00 SC. 3153/112	SC. 3308/01	ARRC. 2652	DF. 1111/15 DF. 1110/22 DF. 1111/17	3'0" 5'3" 5'7"	EG. 1507/02 EG. 5303/11			31-674-11C-01	FE. 100 FE. 100 FE. 80	

THREE WHEELERS, "BUBBLE" CARS, INVALID CHAIRS

BOND	F Saloon Coupe	SH. 4302/00			DF. 1111/00	8'6"					P. 80	
	F Family Saloon	SH. 4302/00			DF. 1111/00	8'5"					P. 80	
FRISKY	Sports Coupe 4 Wheeler	SH. 3153/71			DF. 1111/02	10'0"					P. 100	
	Prince & Family 3 Wheeler	SH. 3169/04			DF. 1111/02	10'0"					FE. 700	
INVACAR	Mk. 12 Invalid Carriage	SH. 3153/93			DF. 1111/00	8'4"					P. 80	
	Mk. 6A, Invalid Carriage	SH. 3153/81			DF. 1111/00	8'0"	EG. 2504/01	41-260-118-00	31-811-508-01		P. 80	
STANLEY	Mk. 6B Invalid Carriage	SH. 3153/81			DF. 1111/00	8'0"	EG. 2504/01	41-260-118-00	31-811-517-02		P. 80	
	3 Wheeler	SH. 3153/72			DF. 1111/02	8'6"					P. 80	
SCOOTCAR	Delta Invalid Carriage	SH. 3153/75			DF. 1111/15	7'8"	EG. 2507/09				P. 80	

ES

* For Separate Inner & Outer Flexible Drives See Chart 1 (Back Cover)

A Optional Equipment

SMITHS

Motor Cycle Equipment

Illustrated on these pages is a representative range of the most popular types of motor cycle equipment manufactured by Smiths.



Speedometer 3" Chronometric Type

The movement is contained in a heavy pressed steel case, specially treated internally and externally against rust. The case is finished in black enamel and the screwed-on bezel is polished chromium plate. Also available with flange bezel and cadmium finished case for nacelle or headlamp installation.

Dial black with white figures and available with or without internal illumination.



"D" Shaped Speedometer

Chronometric Type, for Lightweight Motor Cycles.

Finished in a rust-proofed, black enamelled case with clear white figures on a black dial. Also available with flange bezel for nacelle or headlamp installation.

The internal illumination provides a soft diffused light over the dial and pointer.



60 mm. Speedometer

Nemag movement also for lightweight motor cycles. Strap or handle-bar fixing. Variety of dial colourings to choose from.

60 mm. Revolution Indicators

Revolution indicators to match the 60 mm. speedometer are available. Maximum revolutions per minute, ratio and rotation available in any combination of the following:

MAX. R.P.M. 10,000 12,000 16,000

RATIO 2:1 4:1 4:1

ROTATION Clockwise or anti-clockwise.

3" Revolution Indicators

Chronometric movement.

Black dial, white figures and pointer, chrome bezel.

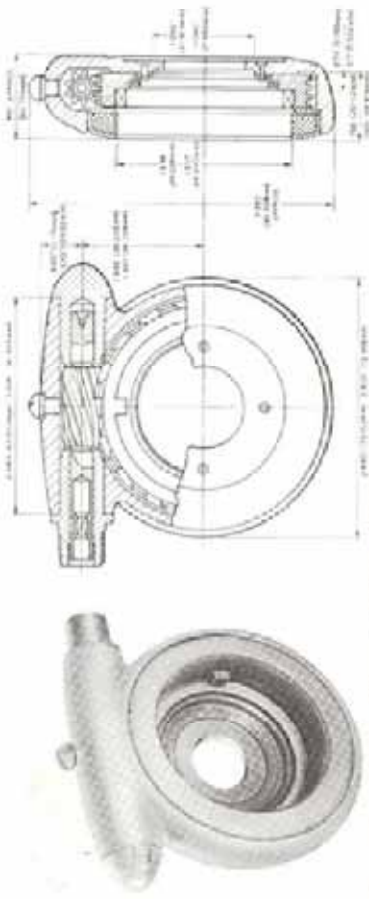
Right angle drive can be built in. A maximum hand may be incorporated if required.

Maximum revolutions per minute, ratio and rotation available in any combination of the following:

MAX. R.P.M. 8,000 9,000 10,000 12,000

RATIO 2:1 4:1 4:1 4:1

ROTATION Clockwise or anti-clockwise



Gear Box Code No. BG.5331 & BG.5333 Series
(Replacing 52283/50-88, BG.5101 & BG.5103 Series)

This hub gear box has a thicker body section than those in the BG.5303 Series (Previously 52283 1-49 Series) and uses the larger felt seal. It can be used where the hub is slotted to provide the necessary engagement or where other provision can be arranged. Clockwise or anti-clockwise input. Ratios: 1:1 & 2:1
Suitable Flexible Drive DF. 1110/20 (Black PVC) or DF. 1110/24 (Grey PVC)



Gear Box Code No. BG. 1508 Series (Replacing 70549 Series)

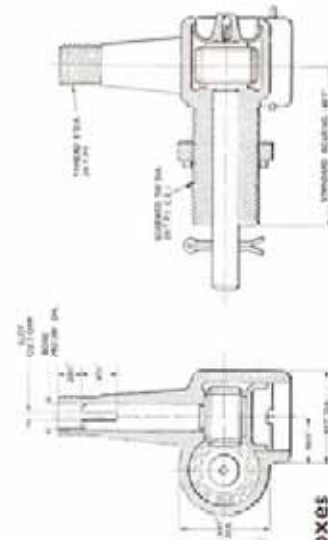
These gear boxes reverse the rotation of the shaft to which they are attached. The rotation is determined by looking immediately on to the end of the engine spindle with which the gear box or flexible drive is engaged.
Plain phosphor bronze bearings. Ratios 1 : 1 and 2 : 1.
Suitable Flexible Drive DF. 1111/15 (Black PVC) or DF. 1111/12 (Grey PVC)



Brake Drum Fitting Gear Boxes

Basic Code
BG.2504 Series (Replacing 34159 Series) Short Reach, Right Hand Gears
BG.2511 Series (Replacing 70458 Series) Long Reach, Left Hand Gears Ratios of 5:12,
BG.2500 Series (Replacing 25224 Series) Long Reach, Right Hand Gears Ratios of 8:12,
BG.2510 Series (Replacing 70458 Series) Short Reach, Left Hand Gears

Boxes available for either external gear ring drive or for internal brake-drum fitting, with left or right hand gears to maintain clockwise output.
Suitable Flexible Drive for these right angle gear boxes: DF. 1111/15 (Black PVC) or DF. 1111/12 (Grey PVC)



FLEX COMPLETE DF. 1111 15 (Black PVC) INNER DI. 1111 00 OUTER DC. 1111 09
DF. 1111 12 (Grey PVC) INNER DI. 1111 00 OUTER DC. 1111 08

FLEX COMPLETE DF. 1110 20 (Black PVC) INNER DI. 1124 00 OUTER DC. 1110 20
DF. 1110 24 (Grey PVC) INNER DI. 1124 00 OUTER DC. 1110 24

The nominal length of a flexible drive is measured between points 'A' and 'B'

Chart I FLEXIBLE DRIVES

Flexible Drive (Complete)	Inner Flexible Drive (Only)	Outer Flexible Drive (Only)
DF.1106/11	DI.1124/00	DO.1106/11
DF.1106/13	DI.1124/00	DO.1106/13
DF.1106/14	DI.1124/00	DO.1106/14
DF.1110/20	DI.1124/00	DO.1110/20
DF.1110/21	DI.1124/00	DO.1110/21
DF.1110/22	DI.1124/00	DO.1110/22
DF.1110/24	DI.1124/00	DO.1110/24
DF.1110/26	DI.1124/00	DO.1110/26
DF.1110/30	DI.1124/00	DO.1110/30
DF.1111/00	DI.1110/02	DO.1111/00
DF.1111/02	DI.1110/02	DO.1111/02
DF.1111/12	DI.1111/00	DO.1111/08
DF.1111/15	DI.1111/00	DO.1111/09
DF.1111/16	DI.1111/00	DO.1111/10
DF.1111/17	DI.1111/00	DO.1111/11
DF.1111/18	DI.1111/00	DO.1111/12
DF.1111/19	DI.1111/00	DO.1111/13
DF.1111/22	DI.1111/00	DO.1111/16
DF.7302/01	DI.7323/00	DO.7302/00
DF.8231/02		(Non Detachable)

Chart I, above, shows the code numbers of the separate Inner and Outer Flexible Drives which form the complete Flexible Drives listed in the specification section of this booklet.

Chart II ALTERNATIVE SPEEDOMETERS

MILES		KILOS	
50 m.p.h.	120 m.p.h.	140 k.p.h.	180 k.p.h.
S.467/185/N	SC.3303/24	S.467/189/M	SC.3303/25
S.491/1/N	SC.5301/09	S.491/5/N	SC.5301/16
S.525/1/N	SC.5301/07	S.525/5/N	SC.5301/08
S.546/1/N	SC.5301/06	S.546/5/N	SC.5301/17
SC.3303/19	SC.3303/20	SC.3303/31	SC.3303/02
SC.3303/25	S.467/179/N	SC.5301/13	SC.5301/12
SC.3303/27	SC.3303/30	SC.3303/05	SC.3303/07

Chart II, above, shows instruments of a different speed range which are suitable as alternative to those marked with an asterisk in the specification section of this booklet.

SMITHS

The Motor Accessory Division of S. Smith & Sons (England) Ltd

HEAD OFFICE
CRICKLEWOOD WORKS
LONDON NW2
Telephone: Gladstone 3333

Telegrams: Speedofac. London. Telex 22871.

MOTOR ACCESSORY DIVISION

SALES AND SERVICE
50 OXGATE LANE
LONDON NW2
Telephone: Gladstone 8030