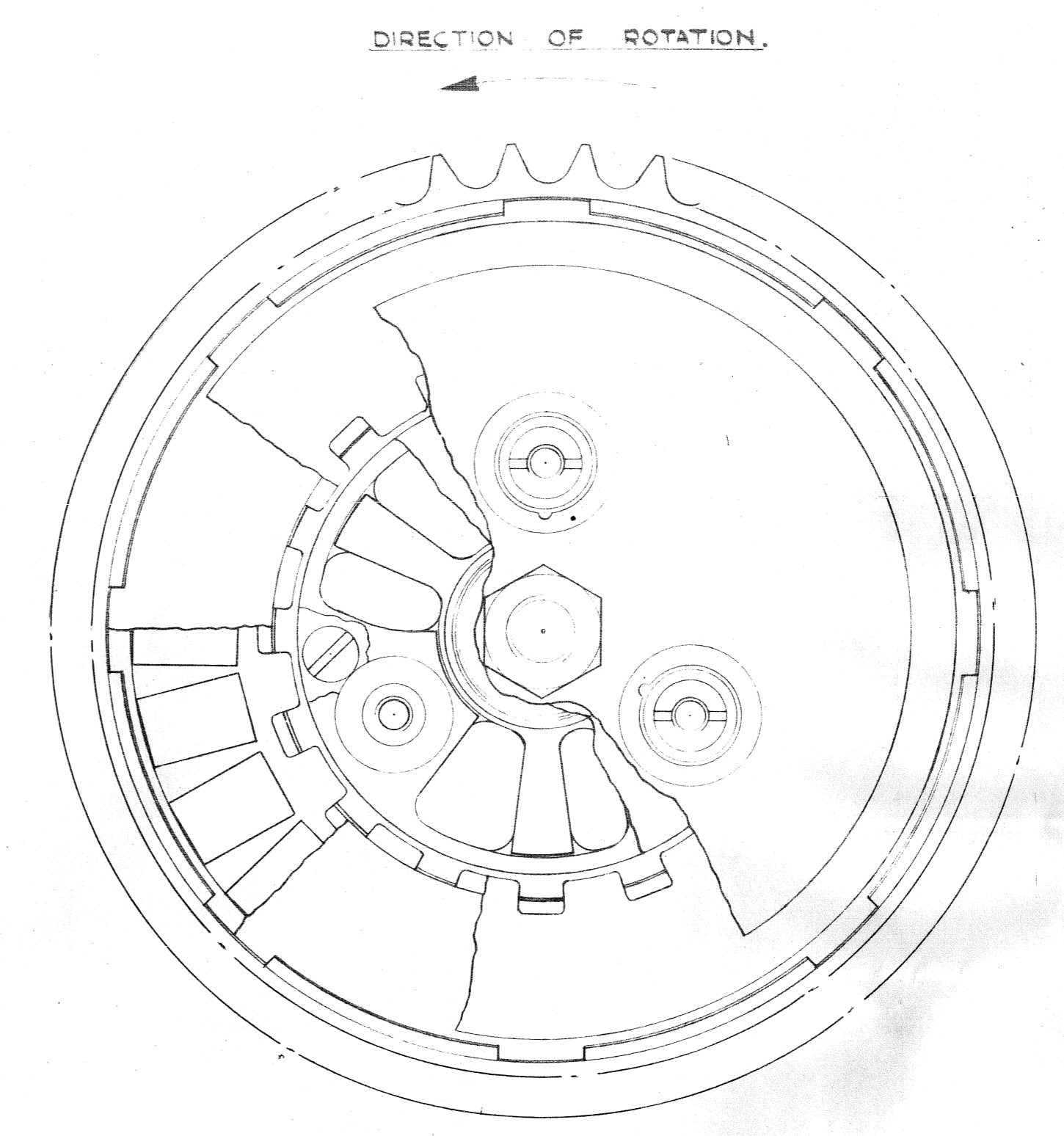
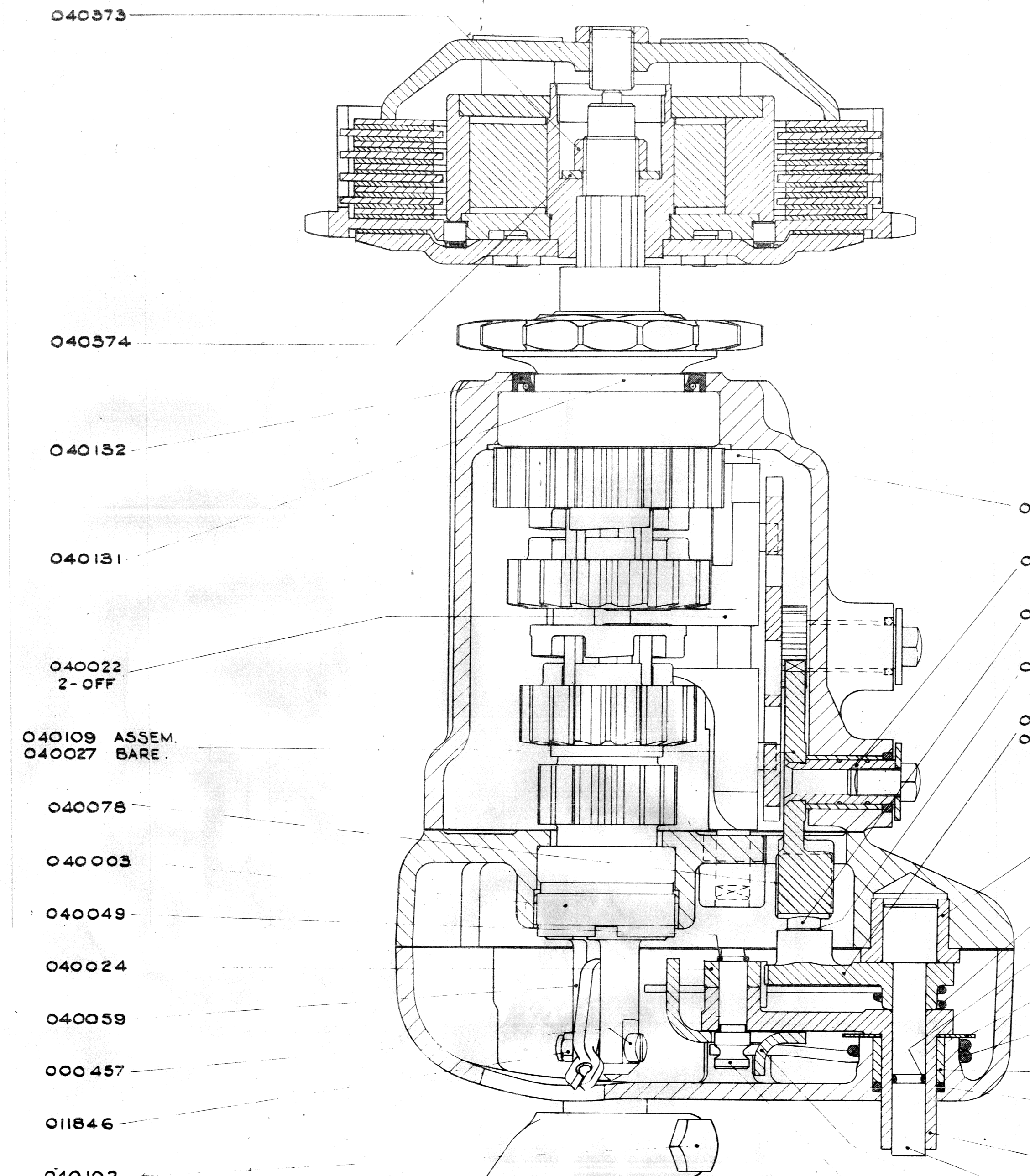
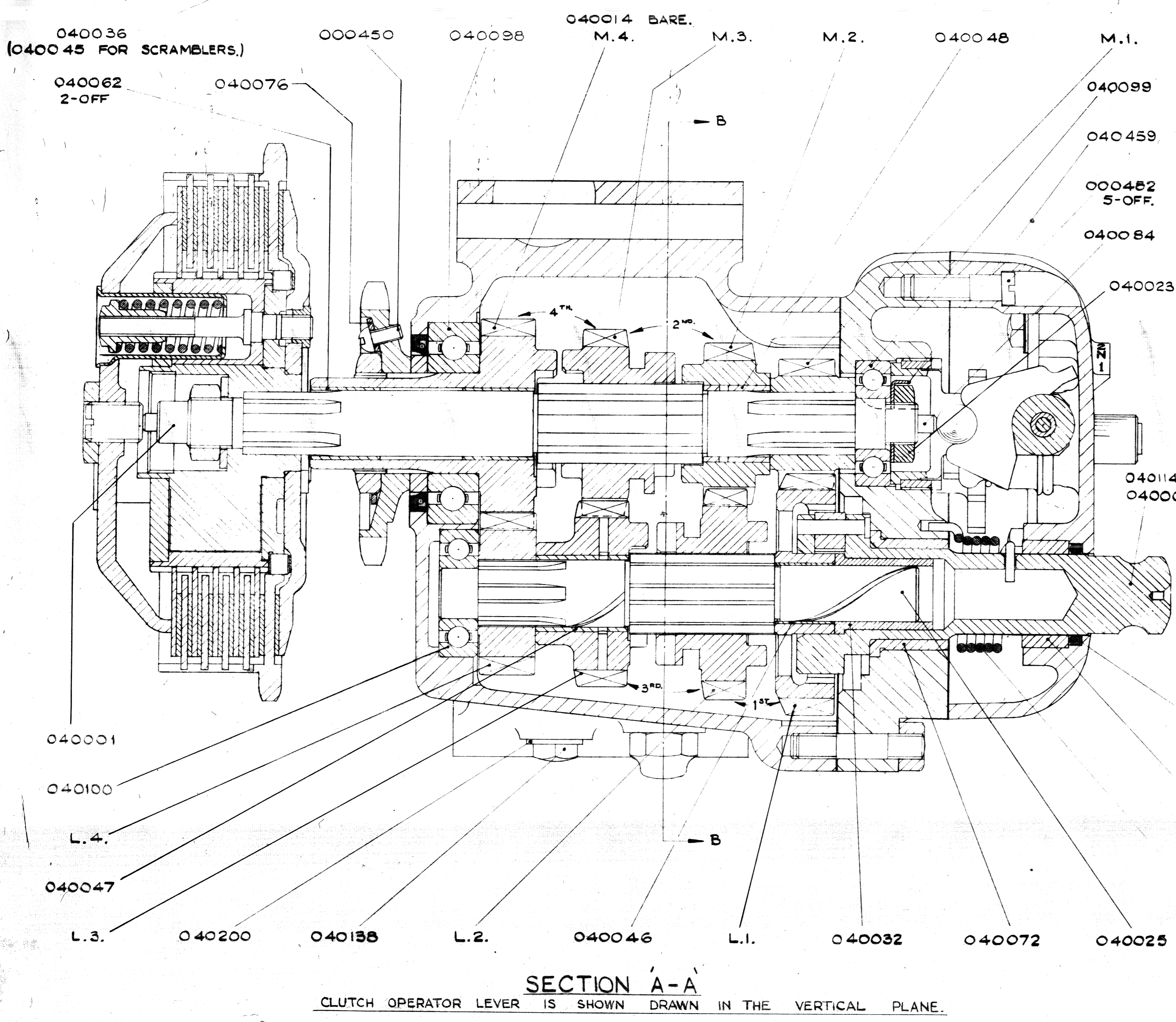
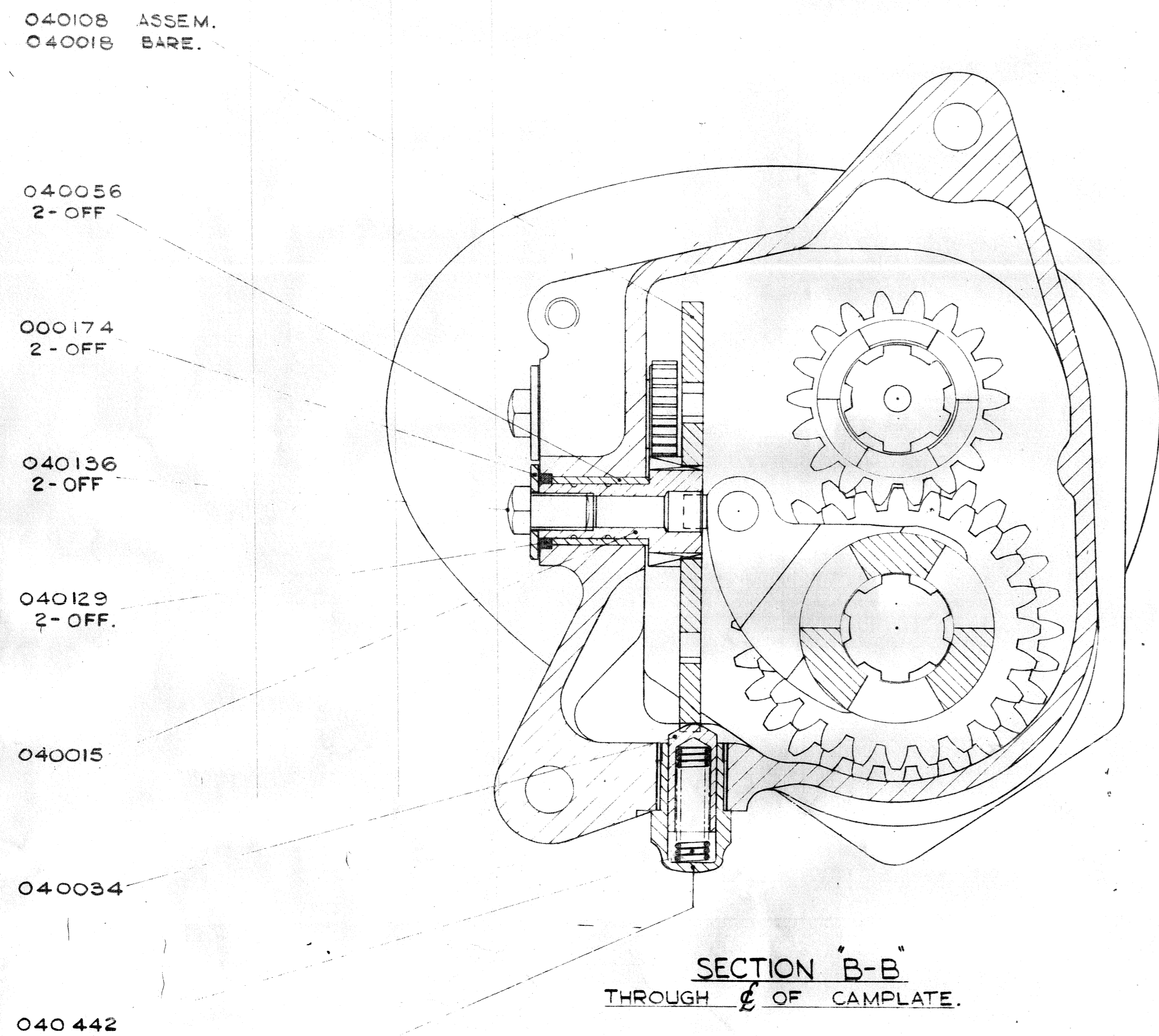


MODEL.	GEARBOX COMPLETE	RATIOS.	CLUTCH	KICKSTARTER	WEIGHT.	SHELL ASSEM.	INNER COVER.
STD AMC 350	040456	1, 1.33, 1.78, 2.67.	040389	040101	30 1/2 LB.	040413	040095
STD AMC 500/650	040456	1, 1.33, 1.78, 2.67.	040400	040101	31 1/2 LB.	040413	040095
AMC COMPETITION	040272	1, 1.47, 2.39, 3.28.	040400	040454	31 1/2 LB.	040413	040287
AMC SCRAMBLER	040440	1, 1.33, 1.78, 2.67.	040400	040434	31 1/2 LB.	040439	040287
AMC 500 650CS/R	040457	1, 1.33, 1.78, 2.67.	040400	040434	31 1/2 LB.	040413	040095
STD NORTON 350	040128	1, 1.33, 1.78, 2.67.	040389	040101	30 1/2 LB.	040097	040095
STD NORTON 500	040128	1, 1.33, 1.78, 2.67.	040400	040101	31 1/2 LB.	040097	040095

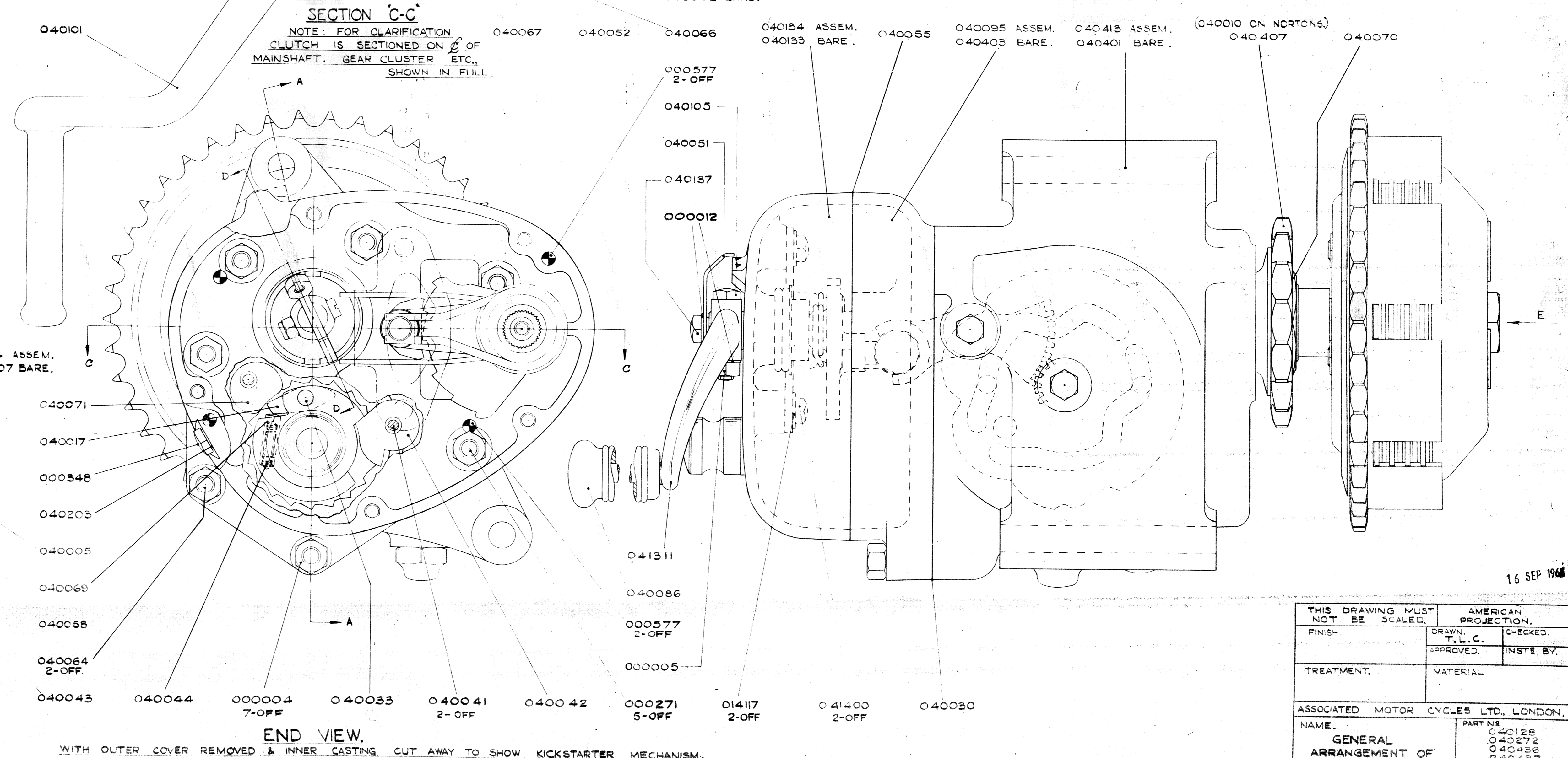
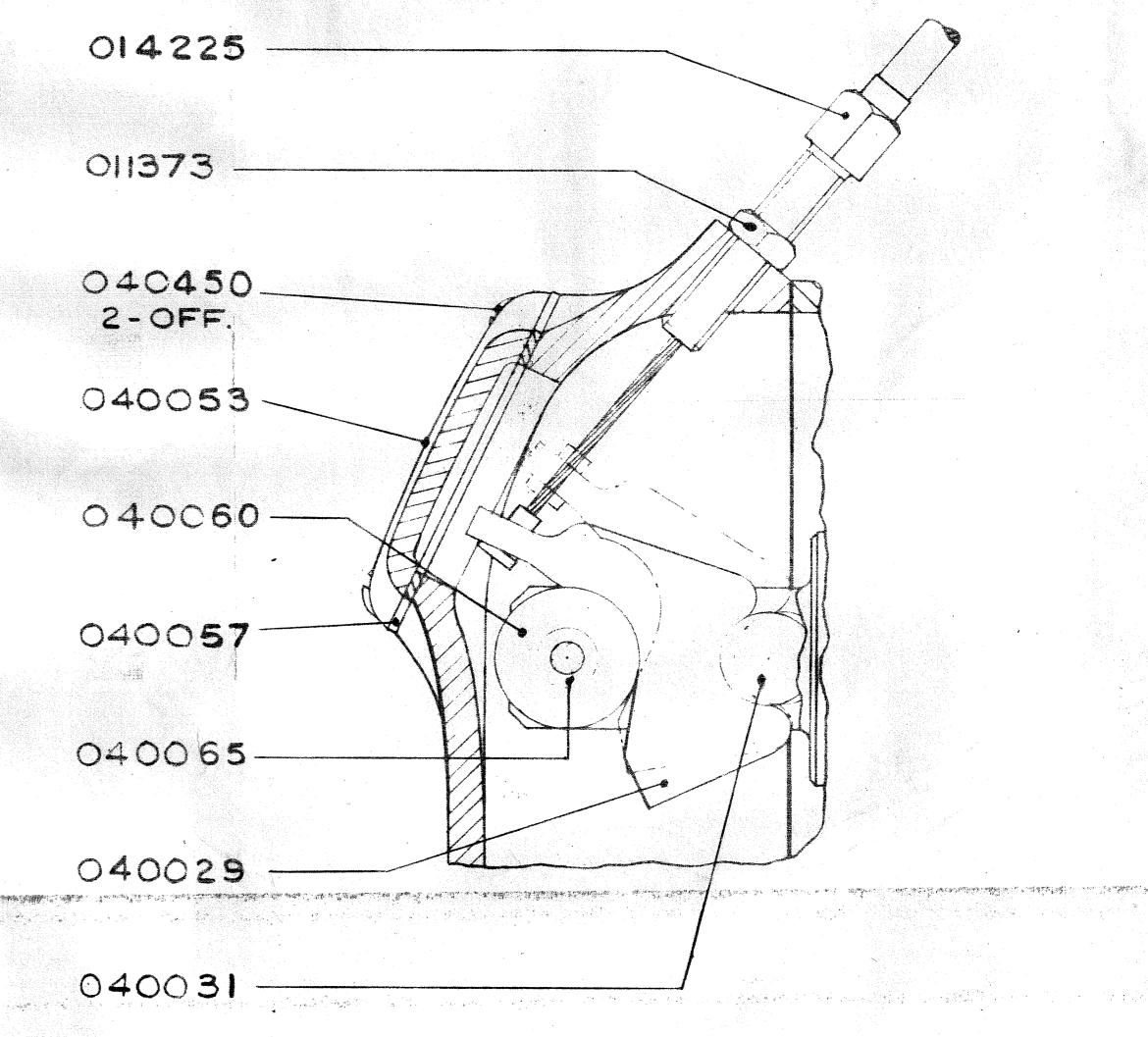
* TOTAL WEIGHT OF GEARBOX INCLUDING CLUTCH.

ISSUE DATE	AMENDMENT.
B 1-12-58	REDRAWN.
C 9-9-59	040459 ADDED.



GEAR REFERENCES.

GEAR DESIGNATION	AMC & NORTON OF STANDARD TEETH	A.M.C. NO OF COMPETITION TEETH	A.M.C. SCRAMBLER NO OF TEETH
M.1.	040026 14	040256 13	040026 14
M.2.	040418 18	040254 16	040418 18
M.3.	040012 21	040012 21	040012 21
M.4.	040116 24	040251 25	040116 24
L.1.	040115 28	040262 29	040115 28
L.2.	040019 24	040260 26	040019 24
L.3.	040016 21	040016 21	040016 21
L.4.	040284 18	040258 17	040284 18



THIS DRAWING MUST NOT BE SCALED.

FINISH	TREATMENT	ASSOCIATED MOTOR CYCLES LTD, LONDON.
AMERICAN PROJECTION.		
DRAWN BY T.L.C.	CHECKED BY T.L.C.	APPROVED BY
MATERIAL		
NAME: GENERAL ARRANGEMENT OF HEAVYWEIGHT GEARBOX.		
PART NO.		
040128		
040272		
040456		
040457		
040440		

16 SEP 1968